

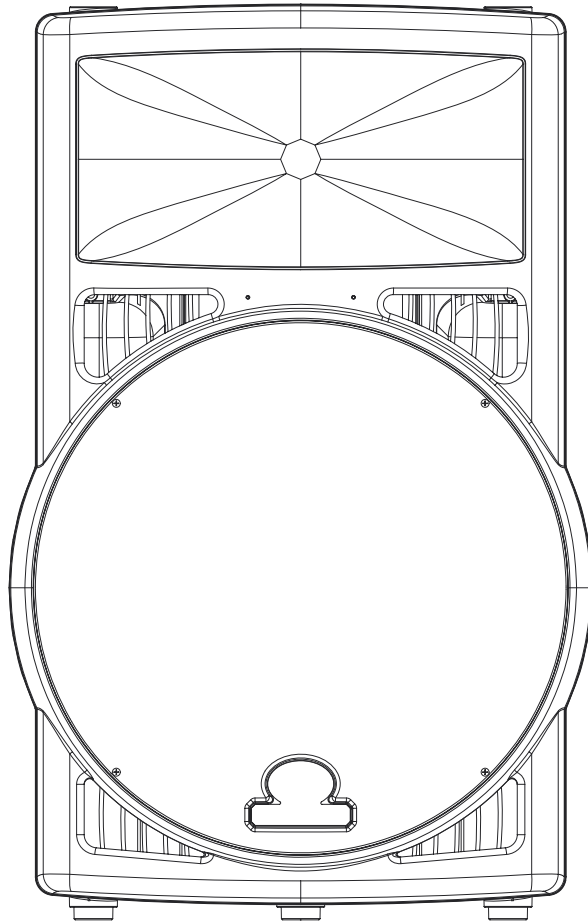
PHONIC

PERFORMER A540 MKII

400W 15" ACTIVE SPEAKER

400W 15" ALTAVOZ ACTIVO

400W 15" 有源音箱



PERFORMER A540 MKII

English / Español / 简体中文

User's Manual
Manual del Usuario
使用手册

PERFORMER A540 MKII

400W 15" ACTIVE SPEAKER

400W 15" ALTAVOZ ACTIVO

400W 15" 有源音箱

CONTENTS

CONTENIDO

目录

INTRODUCTION.....4	INTRODUCCION.....10	简介.....16
FEATURES.....4	CARACTERÍSTICAS.....10	特点.....16
QUICK START.....5	INICIO RÁPIDO.....11	快速入门.....16
REAR PANEL DESCRIPTION...6	DESCRIPCIÓN DE PANEL	背板.....17
SPECIFICATIONS.....7	POSTERIOR.....12	连接示意图.....18
HOOKUP DIAGRAMS.....8	ESPECIFICACIONES.....13	规格.....19
DIMENSIONS.....19	DIAGRAMA DE CONEXIÓN.....14	尺寸.....19
	DIMENSIONES.....19	

Phonic preserves the right to improve or alter any information within this document without prior notice

Phonic se reserva el derecho de mejorar o alterar cualquier información provista dentro de este documento sin previo aviso

PHONIC保留不预先通知即可更新本文件的权利

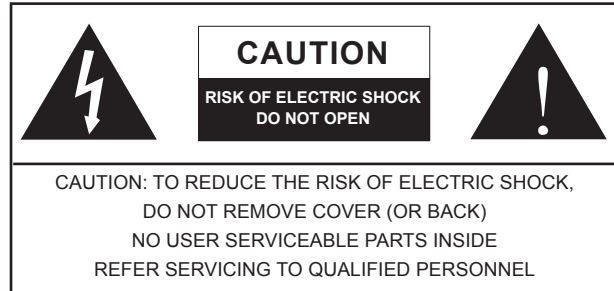
V1.2 08/06/2009

IMPORTANT SAFETY INSTRUCTIONS

The apparatus shall not be exposed to dripping or splashing and that no objects filled with liquids, such as vases, shall be placed on the apparatus. The MAINS plug is used as the disconnect device, the disconnect device shall remain readily operable.

Warning: the user shall not place this apparatus in the confined area during the operation so that the mains switch can be easily accessible.

1. Read these instructions before operating this apparatus.
2. Keep these instructions for future reference.
3. Heed all warnings to ensure safe operation.
4. Follow all instructions provided in this document.
5. Do not use this apparatus near water or in locations where condensation may occur.
6. Clean only with dry cloth. Do not use aerosol or liquid cleaners. Unplug this apparatus before cleaning.
7. Do not block any of the ventilation openings. Install in accordance with the manufacturer's instructions.
8. Do not install near any heat sources such as radiators, heat registers, stoves, or other apparatus (including amplifiers) that produce heat.
9. Do not defeat the safety purpose of the polarized or grounding-type plug. A polarized plug has two blades with one wider than the other. A grounding type plug has two blades and a third grounding prong. The wide blade or the third prong is provided for your safety. If the provided plug does not fit into your outlet, consult an electrician for replacement of the obsolete outlet.
10. Protect the power cord from being walked on or pinched particularly at plug, convenience receptacles, and the point where they exit from the apparatus.
11. Only use attachments/accessories specified by the manufacturer.
12. Use only with a cart, stand, tripod, bracket, or table specified by the manufacturer, or sold with the apparatus. When a cart is used, use caution when moving the cart/apparatus combination to avoid injury from tip-over.
13. Unplug this apparatus during lightning storms or when unused for long periods of time.
14. Refer all servicing to qualified service personnel. Servicing is required when the apparatus has been damaged in any way, such as power-supply cord or plug is damaged, liquid has been spilled or objects have fallen into the apparatus, the apparatus has been exposed to rain or moisture, does not operate normally, or has been dropped.



The lightning flash with arrowhead symbol, within an equilateral triangle, is intended to alert the user to the presence of uninsulated "dangerous voltage" within the product's enclosure that may be of sufficient magnitude to constitute a risk of electric shock to persons.



The exclamation point within an equilateral triangle is intended to alert the user to the presence of important operating and maintenance (servicing) instructions in the literature accompanying the appliance.

WARNING: To reduce the risk of fire or electric shock, do not expose this apparatus to rain or moisture.

CAUTION: Use of controls or adjustments or performance of procedures other than those specified may result in hazardous radiation exposure.



INTRODUCTION

Congratulations on your purchase of the Performer A540 MKII professional audio speaker. Performer Series speakers have an attractive yet impact-resistant design. The angled molded enclosure is made of highly durable polypropylene and is designed for use as a stage monitor, standmounted speaker or for permanent installation.

Active Speaker Technology

Active speaker technology means that Performer speakers have more power and better quality sound. In conventional powered speakers, the power amplifier's output is sent to a passive crossover in the speaker, where it is separated into high and low frequencies and sent to the transducers. The simple construction of passive crossovers means they tend to do an especially poor job sending the high frequencies to the driver. They also lose a lot of power in the process - up to 30%.

The active speaker difference starts with the crossover. Our Performer active speakers use an electronic Linkwitz-Riley 24 dB crossover. An electronic crossover is much more complex than a passive crossover. The electronic crossover intelligently divides the frequencies and sends them to the built-in high- and low-frequency transducers. Since the electronic crossover processes a line-level signal, much less power is lost before the signal is sent to the amplifiers. And since each Performer active speaker has two built-in amplifiers, we are able to custom tailor their output for each speaker. In this way there is virtually no power lost by the crossover, or by the amplifiers being forced to drive high and low transducers at the same time. You will be surprised at the power your Performer active speakers deliver and how well they perform through all the frequencies.

FEATURES

- ▶ 400 Watts RMS
- ▶ 15" Woofer
- ▶ Mic / Line Balanced Preamp
- ▶ 75 Hz Low Cut Filter (18 dB/oct.)
- ▶ Contour Switch with 5 dB boost @ 80 Hz (1/3oct.) and 5 dB boost @ 10.5 KHz (1/3oct.)
- ▶ Switching Power Supply (115-230V, 50-60 Hz)
- ▶ Built-in limiter protects against overload
- ▶ Durable, lightweight speaker cabinet with dynamic sound
- ▶ 1" tweeter with 90° x 60° sound dispersion
- ▶ Balanced XLR-type inputs with switched Mic/Line sensitivity and XLR-type LINK OUT
- ▶ 35mm socket on bottom for pole / stand mounting

QUICK START

1. Ensure that the POWER switch is off (down) and set the LOW CUT and CONTOUR switches out. Turn the two volume controls all the way down (counterclockwise).
2. Connect the output from the signal source (mic- or line-level source) to the XLR-type female input jack. The Performer accepts balanced or unbalanced mic- or line-level signals from dynamic microphones, mixers, preamps, CD players, tape decks. etc.

Note: The Performer will only accept input from condenser microphones that have their own power supply.

3. Set the VOLTAGE SELECTOR switch to the correct voltage setting for your region (100-120 VAC 60 Hz or 220-240 VAC 50 Hz). Plug the AC power cord into the IEC socket on the back of the Performer active speaker. Plug the other end of the power cord into an AC outlet.
4. Set the input selector switch to the appropriate input level. Select MIC (up) for mic-level input; select LINE (down) for line-level input.
5. Turn on the signal source (i.e. mixer, etc.). Ensure that its Master Volume control is turned all the way down.
6. Switch on the Performer power switch (down).
7. Start the signal source (i.e. speak into the microphone) and adjust the signal source level settings.
8. Slowly turn up the level control on the Performer until you achieve the desired volume. Make sure that the PEAK light does not come on.
9. If there is no sound, first turn the Performer level control all the way down before investigating. When you think you have solved the problem, then repeat step 8 again. Follow Step 9 every time you troubleshoot until you solve the problem.

REAR PANEL DESCRIPTION

1. VOLTAGE SELECTOR

This switch allows you to select the AC electric current in use in your region. It is very important that you select the correct MAINS POWER voltage before plugging in the power cord. For 220-240 volts 50 Hz, push the switch up. For 110-120 volts 60 Hz, push the switch down. Voltage levels vary from country to country, (even from city to city in certain countries). For example, North America uses a 110-120 volt, 60-cycle (Hz) system, while the European standard is 220-240 volt, 50-cycle (Hz).

Note: The U.S. Department of Commerce's International Trade Administration produces a very useful publication called "Electric Current Abroad." It is an exhaustive list of the electric current characteristics of every country (and its cities, if there is variance) and the type of AC plugs in use in those countries.

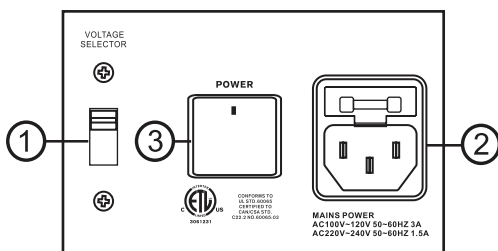
2. IEC Socket

Connect the supplied AC power cord here. Since Performer active speakers have built-in power amplifiers, you must connect them to an AC power supply or you won't get any sound.

Note: If you happen to leave the power cord behind at a gig, don't worry. The 3-pin plug with ground pin is readily available at most office and computer supply stores.

3. POWER Switch

To turn on the Performer active speaker set the power switch to the on (I) position. To turn the Performer off, set the switch to the off position (O). Make sure the volume control is turned down all the way before you turn the power on or off.



4. LOW CUT

This switch engages or disengages the low cut filter. Turn on the low cut filter by setting the switch in (down). To turn it off set the switch out (up). The low cut filter cuts out frequencies below the 75 Hz range. It is especially useful for eliminating unwanted noise like stage rumble, P-pops and wind noise. It's also a good idea to use the low cut filter when using the Performer as a stage monitor.

5. CONTOUR

Use this feature when working in live sound applications. Pushing in the switch gives a 5 dB boost to frequencies below 80 Hz and above 10.5 KHz, making your highs clearer and giving your bass more kick. Try out the sound with the contour switch in and out to see which sounds best for your application.

6. LINE/MIC Switch

This switch allows you to select between the balanced line input (TRS 1/4") and the balanced microphone input (XLR female) input. To select the line input, set the switch in (down). To select the microphone input, set the switch out (up).

7. Signal Indicator

After selecting LINE or MIC, this LED lights up whenever the selected signal is present.

8. MIC/LINE Volume Control

Use this rotary control to set the volume level for MIC/LINE BALANCED INPUT signal(s). It's a good idea to first turn the volume control all the way down (counterclockwise). Turn on the selected source signal and then slowly turn up the volume control until you reach the desired volume level (but not until the PEAK indicator lights up).

9. PEAK Indicator

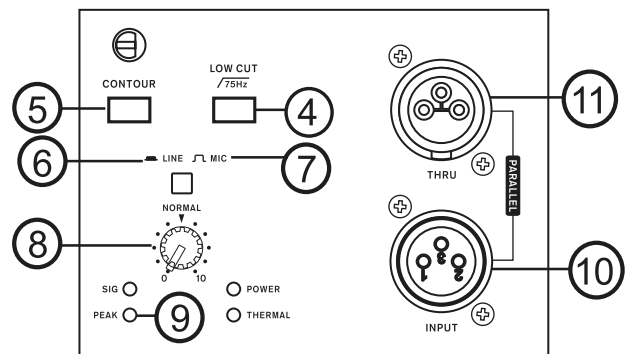
This LED illuminates when the signal levels at the amplifier outputs approach clipping. It's OK for the PEAK indicator to blink infrequently, but if it blinks often or is always lit, then you should turn down the volume level of either the signal source or the Performer.

10. INPUT Connector

This female XLR-type connector can accept mic or line-level signals, depending on the position of the Line/Mic Button.

11. LINK OUT Connector

This is a female XLR-type connector that can be used to daisy chain multiple Performer active speakers together. It produces exactly the same signal that is connected to either of the two input jacks. However, if the MIC/LINE Volume Control is turned past two o'clock on the dial, the Performer active speaker will add +6 dB to the signal. This helps to strengthen weak input signals and improve the overall quality of your sound.



SPECIFICATIONS

Type	15" 400W Active Speaker
Output RMS	300W + 100W
Frequency Response	55 Hz - 18K Hz
Max SPL@1M	127 dB
Impedance	20 k ohms balanced / 10 k ohms unbalanced
Sensitive	-50 -0 dB on input
Bass Drive	15"
Tweeter Diaphragm	1"
Dispersion Angle	90° X 60°
Input	XLR
Link Output	XLR
Enclosure Design	Molded Polypropylene Asymmetrical Trapezoidal
Dimensions (H X W X D)	693 X 442 X 342 mm (27 3" x 17 4" x 13 5")
Weight	21.5 kg

HOOKUP DIAGRAMS

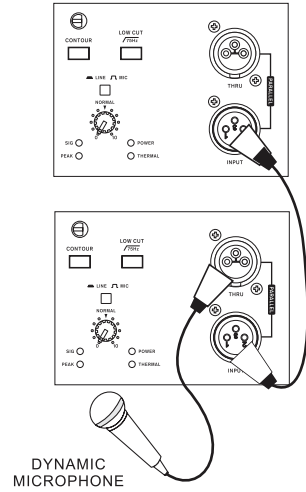
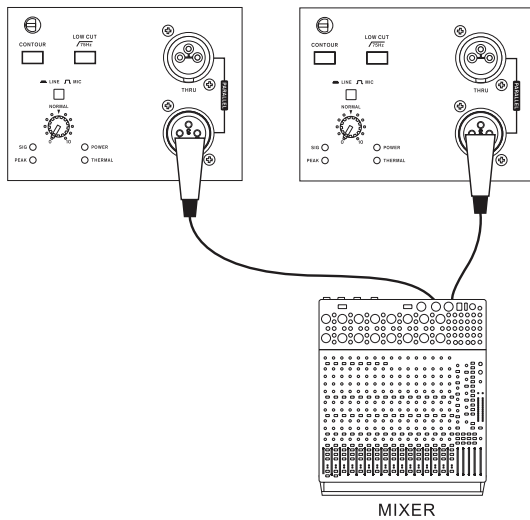
There are many possible configurations for the Performer active speakers. Here we show perhaps the most common setup examples for these speakers.

- 1) Dynamic microphone with two Performer active speakers daisy chained together using the LINK OUT.

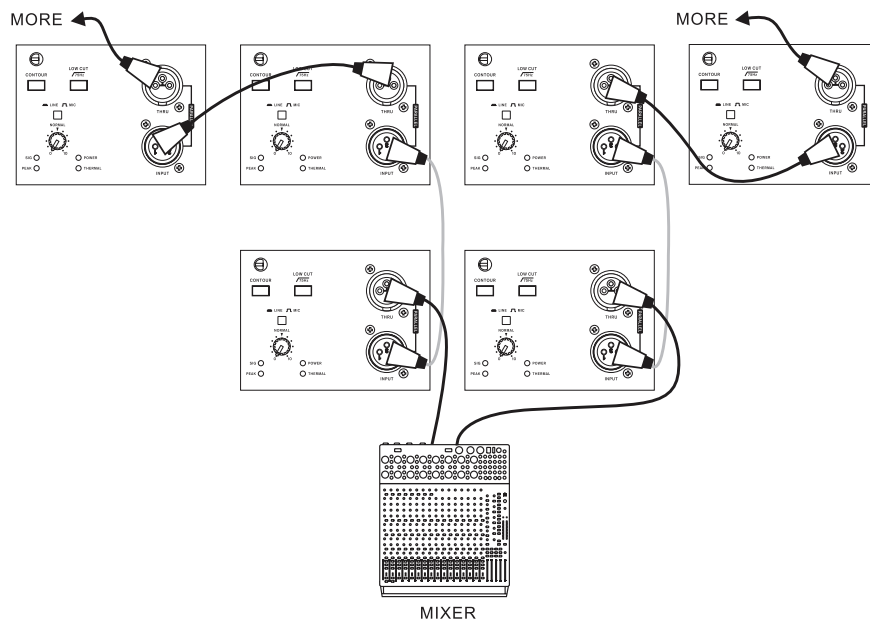
Note: The Performer active speaker does not have phantom power, so you will not be able to use it in conjunction with a condenser microphone unless the microphone has its own power supply.

- 2) Mixer with stereo left and right mic-level output divided to left- and right-side speakers.

Note: You must use the 1/4" phone connectors on the Performer active speaker if you want to use a line-level input.

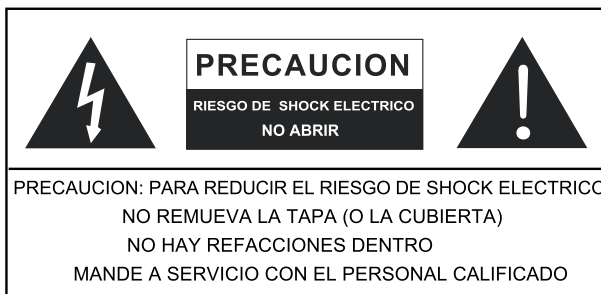


- 3) Mixer with stereo left and right mic-level output divided to left- and right-side speakers. The Performer active speakers are daisy chained together using the LINK OUT.



INSTRUCCIONES DE SEGURIDAD

1. Lea estas instrucciones antes de operar este aparato.
2. Mantenga este instructivo para futuras referencias.
3. Preste atención a todas las advertencias para asegurar una operación adecuada.
4. Siga todas las instrucciones indicadas en este instructivo.
5. No utilice este aparato cerca del agua o en lugares donde se puedan dar condensaciones.
6. Limpie solamente con lienzos secos. No utilice aerosol ni limpiadores líquidos. Desconecte este aparato antes de limpiarlo.
7. No bloquee ninguna de las aberturas de ventilación. Instale según las instrucciones del fabricante.
8. No lo instale cerca de cualquier fuente de calor como radiadores, registros de calor, estufas, u otro aparato (incluyendo amplificadores) que produzcan calor.
9. No deshaga la opción de seguridad del plug polarizado o aterrizado. Una clavija polarizada tiene dos cuchillas una más grande que la otra. Una clavija del tipo polarizado tiene dos cuchillas y un diente. La cuchilla más ancha o el tercer diente esta incluido para su seguridad. Si esta clavija no se acomoda en su toma corriente, consulte un electricista para que cambie el toma corriente obsoleto.
10. Proteja el cable de electricidad de ser pisado o picado particularmente en la clavija, los receptáculos y en el punto donde estos salgan del aparato. No pise los cables de alimentación de AC.
11. Utilice solamente accesorios o demás cosas especificadas por el fabricante.
12. Transporte solamente con un carro, pedestal, tripie abrazaderas o mesas especificadas por el fabricante, o incluidas con el aparato. Si se utiliza un carro, tenga precaución cuando mueva el carro con el aparato para evitar lesiones de cualquier tipo.
13. Desconecte este aparato durante tormentas eléctricas o cuando no se ocupe en periodos largos de tiempo.
14. Refiera todo el servicio al personal calificado. Se requiere de servicio cuando el aparato a sido dañado en cualquier manera, por ejemplo cuando el cable de alimentación de voltaje o la clavija han sido dañados, si se ha derramado liquido o si algun objeto a caido en el aparato, o si el aparato ha sido expuesto a la lluvia o a la humedad, no funcione normalmente o si ha sufrido una caída.



El simbolo con una flecha encerrado en un triangulo equilátero, es para alertar al usuario de la presencia de "voltaje peligroso" no aislado dentro del chasis del producto que pudiera ser de magnitud suficiente para constituir un riesgo de shock eléctrico a las personas.



El punto de exclamación dentro de un triangulo equilátero es para alertar al usuario de la presencia de instrucciones importantes de operación y mantenimiento (servicio) en la literatura que acompaña el equipo.

ADVERTENCIA: Para reducir el riesgo de shock o fuego eléctrico no exponga este aparato a la lluvia o a la humedad.

PRECAUCION: No use controles, ajustes, no realice procedimientos diferentes a los especificados, esto puede resultar en una peligrosa exposición a la radiación.



PHONIC

INTRODUCCIÓN

Felicitaciones por su compra de altavoz de audio profesional Performer A540 MKII. Los altavoces de la Serie Performer tienen un diseño atractivo y resistente. La bocina moldeado angulado está hecho de polipropileno altamente durable y es diseñado como un monitor de escenario, altavoz montado en stand o para instalación permanente.

Tecnología de Altavoz Activo

La tecnología de altavoz activo significa que los altavoces Performer tienen más potencia y sonido de mejor calidad. En altavoces amplificados convencionales, la salida de amplificador de energía es enviado a un crossover pasivo en el altavoz, donde es separado en frecuencias altas y bajas y enviado a transductor. La construcción simple de crossovers pasivos significa que tienden a hacer un trabajo pobre enviando las frecuencias altas a driver. También pierden un montón de potencia en el proceso – hasta 30%.

La diferencia de altavoz activo empieza con el crossover. Nuestros altavoces activos Performer usa un crossover electrónico Linkwitz-Riley a 24 dB. Un crossover electrónico es mucho más complejo que crossover pasivo. El crossover electrónico divide inteligentemente las frecuencias y enviarlas a transductores de alta- y baja-frecuencia. Como el crossover electrónico procesa una señal de nivel de línea, se pierde mucho menos potencia antes de que la señal es enviada a los amplificadores. Y como cada altavoz activo Performer tiene dos amplificadores integrados, podemos adaptar su producción personalizado para cada altavoz. En este sentido virtualmente no hay energía perdida por el crossover, o por los amplificadores siendo forzado a conducir transductores altos y bajos al mismo tiempo. Estará sorprendido de la potencia que entregan sus altavoces activos Performer y su rendimiento por todas las frecuencias.

CARACTERÍSTICAS

- 400 Watts RMS
- Woofer de 15"
- Preamplificador Balanceado de Mic/Línea
- Filtro de Corte Bajo a 75 Hz (18 dB/oct.)
- Interruptor de Contorno con aumento de 5 dB @ 80 Hz (1/3 oct) y aumento de 5 dB @ 10.5 kHz (1/3 oct.)
- Fuente de Alimentación Conmutable (115-230V, 50-60 Hz)
- Limitador integrado protege contra la sobrecarga
- Gabinete de altavoz durable y liviano con sonido dinámico
- Tweeter de 1" con dispersión de sonido de 90° x 60°
- Entradas balanceadas tipo XLR con sensibilidad Mic/Línea conmutado y LINK OUT tipo XLR
- Socket de 35mm en la parte inferior para montaje en poste / pedestal

INICIO RÁPIDO

1. Asegúrese que el interruptor de ENERGÍA esté apagado (hacia abajo) y setee los interruptores de CORTE BAJO y de CONTORNO apagado. Gire los dos controles de volumen hacia abajo (en sentido contra reloj).
2. Conecte la salida de la fuente de señal (fuente de nivel de mic o línea) a jack de entrada hembra tipo XLR. El Performer acepta señales de nivel de mic o línea balanceada o desbalanceada desde micrófonos dinámicos, mezcladoras, preamplificadores, reproductores de CD, tape decks, etc.

Nota: El Performer aceptará solamente entrada desde micrófonos de condensador que tiene su propia fuente de alimentación.

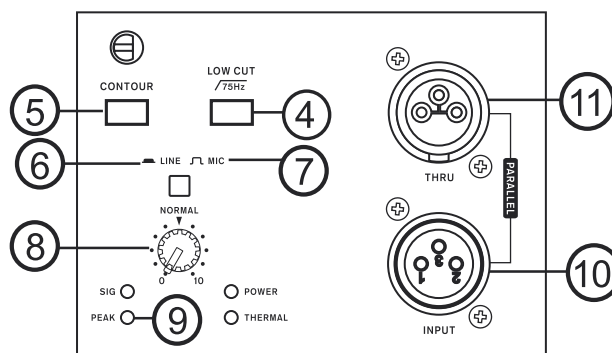
3. Ajuste el interruptor SELECTOR de VOLTAJE a seteo de voltaje correcto para su región (100-120 VAC 60 Hz o 220-240 VAC 50 Hz). Enchufe el cable de energía AC en el socket IEC en la parte posterior de altavoz activo Performer. Enchufe el otro extremo de cable de energía en una tomacorriente AC.
4. Setee el selector de entrada a un nivel de entrada apropiado. Seleccione MIC (superior) para entrada de nivel de micrófono; seleccione LINE (inferior) para entrada de nivel de línea.
5. Encienda la fuente de señal (por ej, mezcladora, etc.). Asegúrese que el control de Volumen Master está girado hacia abajo.
6. Encienda la energía de Performer.
7. Inicie la fuente de señal (por ej, hablar en el micrófono) y ajuste los seteos de nivel de fuente de señal.
8. Aumente lentamente el control de nivel de Performer hasta que logre el volumen deseado. Asegúrese que la luz de PICO no se enciende.
9. Si no hay sonido, primero baje el control de nivel de Performer antes de investigar. Cuando usted cree que el problema está resuelto, repita el paso 8 nuevamente. Siga el paso 9 hasta que resuelva el problema.

10. Conector de ENTRADA

Este conector hembra tipo XLR puede aceptar señales de nivel de línea o mic, dependiendo de la posición de Botón Línea/Mic.

11. Conector LINK OUT

Este es un conector tipo XLR hembra que puede ser utilizado para encadenar multiples altavoces activos Performer juntos. Produce exactamente la misma señal que es conectado a cualquiera de los dos jacks de entrada. Sin embargo, si el Control de Volumen de MIC/LÍNEA está pasado a la posición de hora 2, el altavoz activo Performer añadirá +6 dB a la señal. Esto ayuda a reforzar las señales de entrada débiles y mejora la calidad total de su sonido.



ESPECIFICACIONES

Tipo	Altavoz Activo a 400W de 15"
Salida RMS	300W+100W
Respuesta en Frecuencia	55 Hz ~ 18 kHz
Max SPL @ 1M	127 dB
Impedancia	20 k ohms balanceado / 10 k ohms desbalanceado
Sensitividad	-50 -0 dB en entrada
Drive de Bass	15"
Diafragma de Tweeter	1"
Ángulo de Dispersión	90° x 60°
Entrada	XLR
Salida Link	XLR
Diseño de Bocina	Moldeado Polipropileno Asimétrico Trapezoidal
Dimensiones (Al x An x P)	693 x 442 x 342mm (27.3" x 17.4" x 13.5")
Peso	21.5 kg

DIAGRAMA DE CONEXIÓN

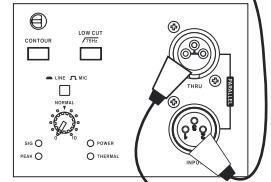
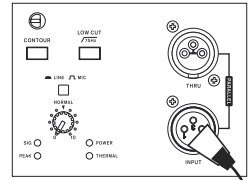
Hay muchas posibles configuraciones para altavoces activos Performer. Aquí mostramos algunos ejemplos de las aplicaciones más comunes para estos altavoces.

- 1) Micrófono dinámico con dos altavoces activos Performer encadenados juntos usando LINK OUT.

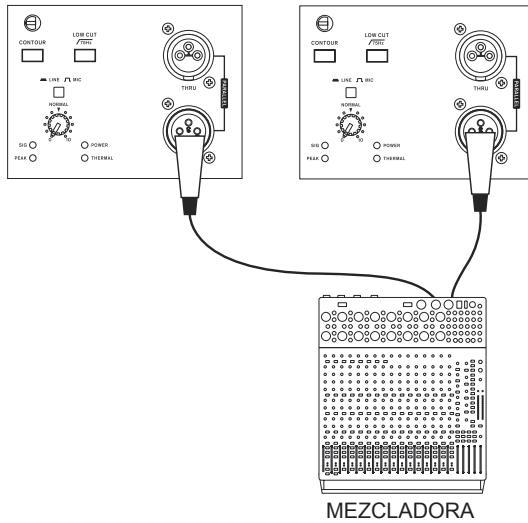
Nota: El altavoz activo Performer no tiene fuente fantasma, por lo tanto no podrá usarlo junto con micrófono de condensador al menos que el micrófono tiene su propia fuente de alimentación.

- 2) Mezcladora con salida de nivel de micrófono estéreo izquierdo y derecho dividido en altavoces de lado izquierdo y derecho.

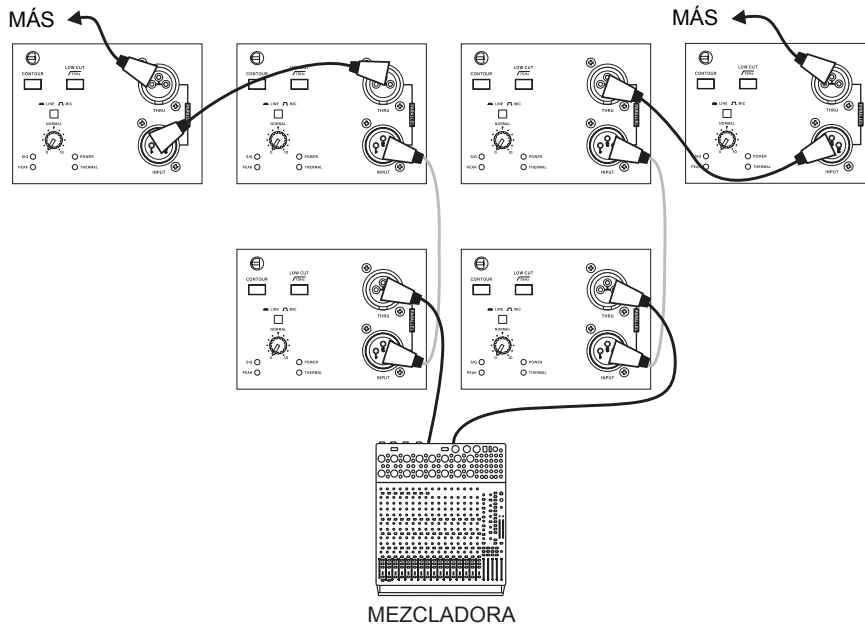
Nota: Usted debe utilizar conectores de audífono de 1/4" en altavoz activo Performer si quiere utilizar entrada de nivel de línea.



MICRÓFONO DINÁMICO



- 3) Mezcladora con salida de nivel de micrófono estéreo izquierdo y derecho dividido en altavoces de lado izquierdo y derecho. Los altavoces activos Performer están encadenados juntos usando LINK OUT.



重要安全说明

1. 请在使用本机前，仔细阅读以下说明。
2. 请保留本使用手册，以便日后参考。
3. 为保障操作安全，请注意所有安全警告。
4. 请遵守本使用手册内所有的操作说明。
5. 请不要在靠近水的地方，或任何空气潮湿的地点操作本机。
6. 本机只能用干燥布料擦拭，请勿使用喷雾式或液体清洁剂。清洁本机前请先将电源插头拔掉。
7. 请勿遮盖任何散热口。确实依照本使用手册来安装本机。
8. 请勿将本机安装在任何热源附近。例如：暖气、电暖气、炉灶或其它发热的装置（包括功率扩大机）。
9. 请注意极性或接地式电源插头的安全目的。极性电源插头有宽窄两个宽扁金属插脚。接地式电源插头有两支宽扁金属插脚和第三支接地插脚。较宽的金属插脚（极性电源插头）或第三支接地插脚（接地式电源插头）是为安全要求而制定的。如果随机所附的插头与您的插座不符，请在更换不符的插座前，先咨询电工人员。
10. 请不要踩踏或挤压电源线，尤其是插头、便利插座、电源线与机身相接处。
11. 本机只可以使用生产商指定的零件/配件。
12. 本机只可以使用与本机搭售或由生产商指定的机柜、支架、三脚架、拖架或桌子。在使用机柜时，请小心移动已安装设备的机柜，以避免机柜翻倒造成身体伤害。
13. 在雷雨天气或长期不使用的情况下，请拔掉电源插头。
14. 所有检查与维修都必须交给合格的维修人员。本机的任何损伤都须要检修，例如：电源线或插头受损，曾有液体溅入或物体掉入机身内，曾暴露于雨天或潮湿的地方，不正常的运作，或曾掉落等。



这个三角形闪电标志是用来警告用户，装置内的非绝缘危险电压足以造成使人触电的危险性。



这个三角形惊叹号标志是用来警告用户，随机使用手册中有重要操作与保养维修说明。

警告：为减少火灾或触电的危险性，请勿将本机暴露于雨天或潮湿的地方。

注意：任何未经本使用手册许可的操控，调整或设定步骤都可能产生危险的电磁辐射。

简介

感谢您购买Phonic的专业音箱Performer A540MKII。PERFORMER系列音箱外观精美且防震，成角模制外箱是由高耐磨塑胶制成，可用做舞台监听音箱，或用做支架永久安装型音箱。

有源音箱技术

有源音箱技术意味着PERFORMER音箱拥有更强的功率和更好的音质。就传统的功放音箱而言，功放的输出信号通常是先输往音箱的无源分频器分离为高频和低频信号，然后再传送至变频器。无源分频器简单的构造决定了它将高频信号传送至驱动器的性能比较差，在该过程中将损失高达30%的功率。

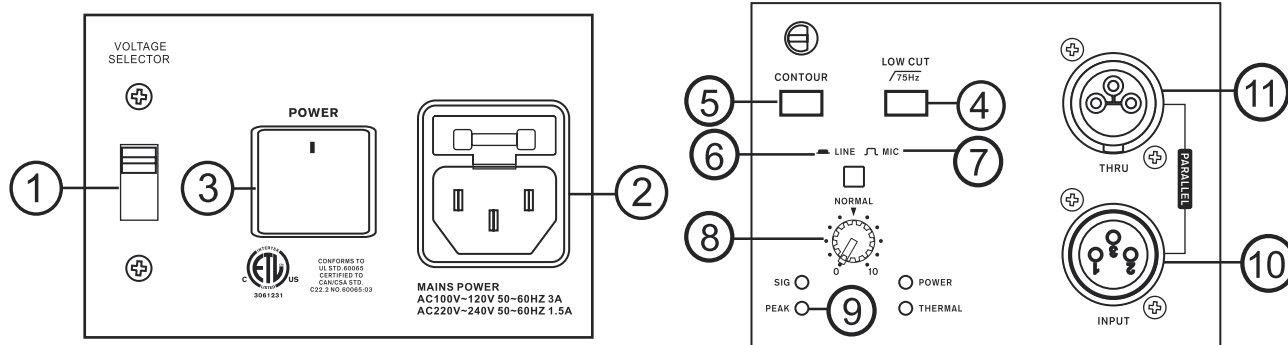
有源音箱的不同之处则在于分频器。PERFORMER有源音箱采用的是电子Linkwitz-Riley 24 dB分频器。电子分频器远比无源分频器复杂，它可智能地分离频率然后再将其分别传送至内置的高频和低频变频器。如果使用电子分频器处理高电平信号，信号输送至放大器之前损失的功率将大大地降低。每一个PERFORMER有源音箱都拥有2个内置放大器，这样一来我们就可以自动地分配输往每个音箱的输出信号。实际上在此处理方式中，分频器分离信号或者功放将高频和低频信号传送至变频器的过程都没有损耗任何功率。您将会惊异于Performer有源音箱所产生的强大功率，惊叹于它们通过频率信号所展现的优异性能。

特点

- 400W RMS
- 15"低音单体
- 麦克风/高电平平衡式前置放大电路
- 75Hz高通滤波器(18dB/oct)
- 5dB增强@80Hz(1/3oct)和5dB增强@10.5KHz(1/3oct)轮廓开关
- 切换式电源(115-230V, 50/60Hz)
- 内建防护过载的限幅器
- 耐用轻质音箱外箱
- 90°x 60°声频扩散角的1"高音单体
- 带麦克风/高电平信号切换控制按钮以及XLR LINK OUT链接输出的平衡式XLR输入插孔
- 底部用于支架安装的35mm音箱插孔

快速入门

- 1、请务必确保关闭POWER电源开关，LOW CUT高通滤波器和CONTOUR轮廓开关。并将两个音量控制调节至最低位置(逆时针方向旋转)。
- 2、将信号声源(Mic麦克风或Line高电平声源信号)的输出连接至XLR母座输入插孔。Performer可接收来自自动圈式麦克风，调音台，前置放大器，CD播放器，磁带录音机等设备的平衡式或非平衡式麦克风或高电平信号。
注意：Performer只接收具备自身电源供给的电容式麦克风所传输的输入信号。
- 3、将VOLTAGE SELECTOR电压选择拨动开关设置为正确的当地额定电压(100-120VAC 60或220-240VAC 50Hz)。将AC电源线插入Performer有源音箱背面板的IEC插孔，将电源线的另一端插入AC电源插座。
- 4、将输入信号选择按钮开关设置为正确的输入声源。MIC(弹出)时为麦克风输入信号，LINE(按下)时为高电平输入信号。
- 5、打开信号声源(例如调音台等)。请确保将Master音量控制调节至最低位置。
- 6、打开Performer音箱的电源开关(按下)。
- 7、启动信号声源(例如音箱至麦克风)并调节信号声源的音量设置。
- 8、缓慢地调高Performer的音量控直至达到理想的音量。同时请确保PEAK峰值LED灯不会变亮。
- 9、如果没有任何声音，请在分析原因前首先将Performer的音量控制关到最低。当您觉得问题已经解决时，再重复步骤8。每次排查解决故障时请务必严格遵照步骤9进行操作，直至问题解决。



背板

1、电压选择开关

此开关可选择您所在地区所使用的电流。在插上电源线之前选择正确的电源电压值是非常重要的。将开关拨至较高的位置可选择220-240V 50Hz的电压；将开关调至较低的位置可选择110-120V 60Hz的电压。各国的电压都会不同，甚至在一些国家城市与城市之间的电压也是不同的。例如，北美使用的是110-120V，60Hz的供电系统，欧洲标准则是220-240V，50Hz。

注意：美国商业部国际贸易局提出了一本非常有用的出版物“外国电流”，详尽地列出了各国(以及该国的城市，如果存在不同的话)电流的特点以及该国所使用的AC插头的类型。

2、IEC插座

将随附的AC电源线插入此处。因为Performer有源音箱拥有一个内置功放，您必须将其连接至AC电源，否则将不会有任何信号。

注意：如果您不慎将电源连接线遗失在装备车上，请不要担心，因为圆头的3芯插头在许多办事处和电脑卖场都有出售。

3、电源开关

将电源开关设置于(I)位置，即可开启Performer有源音箱。将电源开关设置于(O)位置，即可关闭Performer有源音箱。开启或关闭电源开关前请务必确保将音量控制调节至最低位置。

4、高通滤波器

此开关可开启(按下)或关闭(弹出)高通滤波器。高通滤波器可切除低于75Hz的频率，可消除多余的舞台噪音，砰砰声和风噪声。将Performer音箱用做舞台监听音箱时，开启此开关将会是不错的选择。

5、轮廓开关

现场应用时可开启此功能。按下此开关可对80Hz以下，10.5kHz以上的频率进行5dB的增强，可使得高音更为清晰，低音更为强劲。您可按下或弹出此开关尝试哪种效果更适合您的需求。

6、LINE/MIC选择开关

此开关可选择平衡式高电平输入(TRS 1/4")和平衡式麦克风输入(XLR母座)。选择高电平输入时，按下开关；选择麦克风输入时，弹出开关。

7、信号指示灯

无论选择LINE还是MIC信号，接收到信号时该LED灯都会变亮

8、MIC/LINE音量控制

使用此旋钮可调节MIC/LINE平衡式输入信号的音量。首先将音量控制调节至最低位置，再打开选择的声源，然后缓慢地调高音量控制直至音量达到理想的水平将是个不错的办法(但是不是直到LED灯变亮)。

9、峰值LED指示灯

功放的输出信号达到峰值时该LED灯将变亮。峰值LED频繁的闪亮并无大碍，但是该LED灯若是经常的闪亮或者持续亮着，您就应该关小Performer任一声源信号的音量控制。

10、输入连接器

根据Line/Mic按钮的设置情况，这个母座XLR连接插孔可接收麦克风或高电平信号。

11、LINK OUT链接输出连接器

这个母座XLR型连接器可连接多个Performer有源音箱，输出与连接任一两个输入插孔一样的信号。但是，如果将MIC/LINE音量控制调至刻度盘上2点以后的位置，Performer音箱将对信号进行+6dB的增强，有效地增强较弱的信号并提升整个音质。

连接示意图

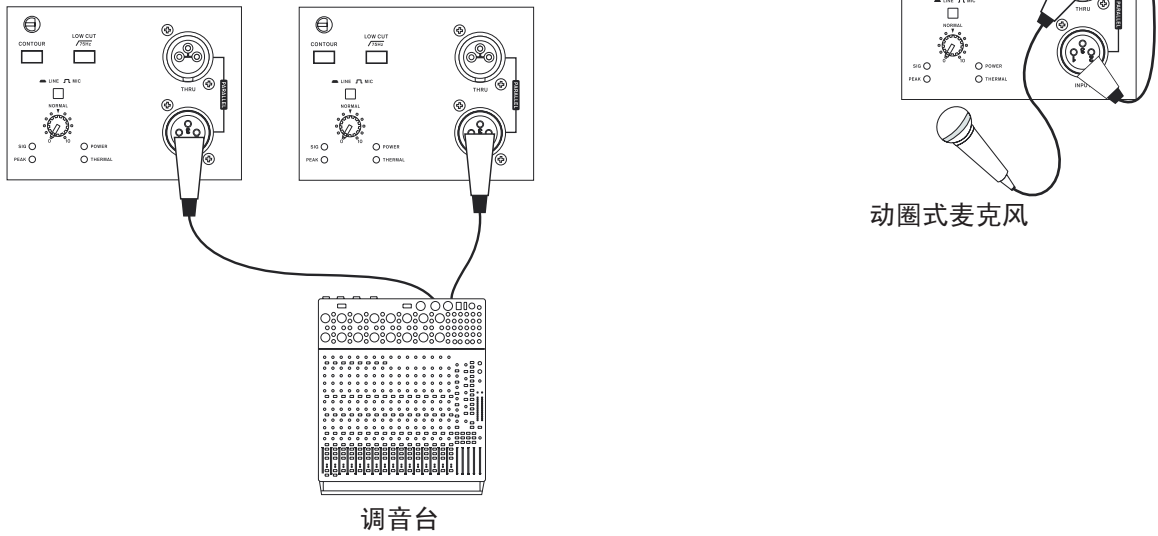
Performer有源音箱有多种可能的连线方式，以下列举了Performer最有可能进行的几种连接安装。

1) 使用LINK OUT将带动圈式麦克风的两个Performer音箱连接在一起。

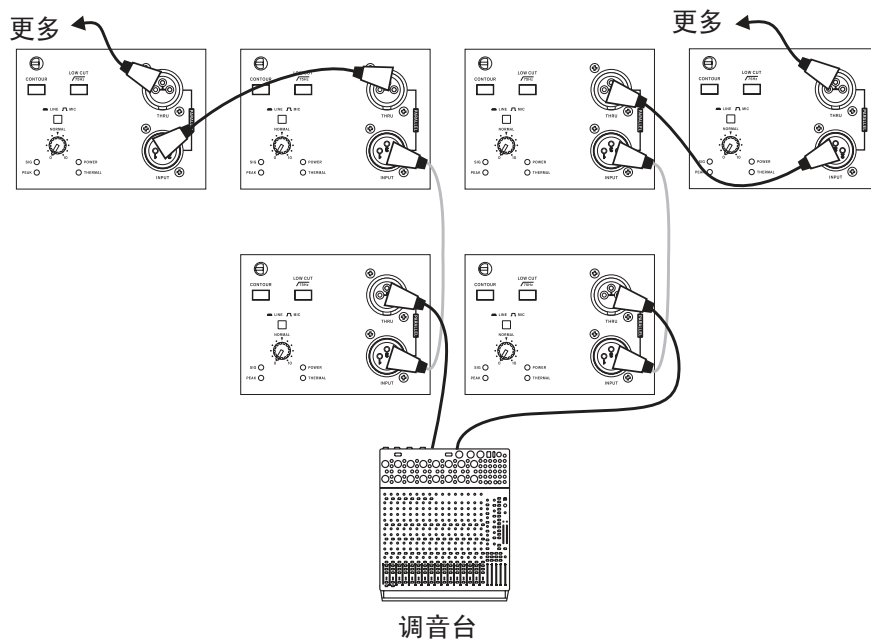
注意： Performer有源音箱无幻象电源，所以不可以与电容式麦克风连用，除非该麦克风可进行自身电源供给。

2) 调音台立体声左右麦克风输出信号分离至左右音箱。

注意： 如果您想使用高电平输入信号，则必须使用Performer有源音箱上的1/4"Phone插孔。



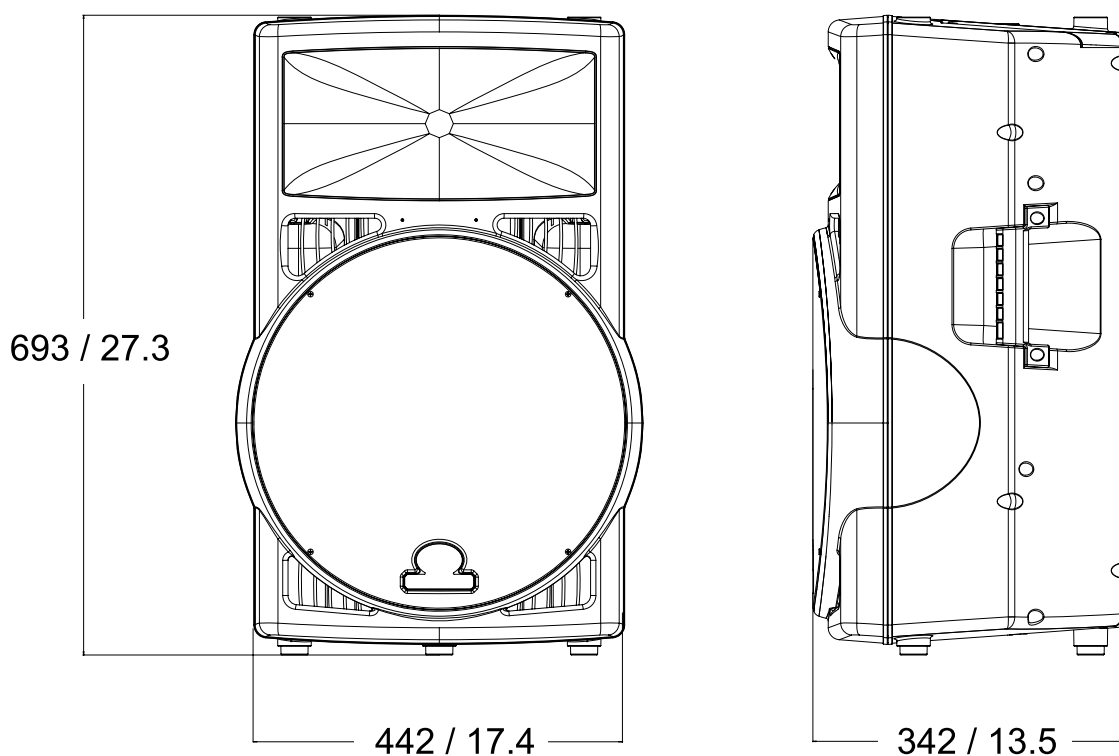
3) 调音台立体声左右麦克风输出信号分离至左右音箱。使用LINK OUT将两个Performer音箱连接在一起。



规格

类型	15" 400W 有源音箱
输出 RMS	300W+100W
频率响应	55 Hz ~ 18 kHz
最大SPL@1M	127 dB
阻抗	20KΩ 平衡式 / 10KΩ 非平衡式
灵敏度	输入-50-0dB
低音驱动器	15"
高音振膜	1"
扩散角	90° x 60°
输入	XLR
连接输出	XLR
外箱设计	模制塑胶梯形外箱
尺寸 (H x W x D)	693 x 442 x 342mm (27.3" x 17.4" x 13.5")
重量	21.5 kg

DIMENSIONS DIMENSIONES 尺寸



measurements are shown in mm/inches
 Todas las medidas están mostradas en mm/pulgadas.
 尺寸是以毫米mm/英寸inch表示。

TO PURCHASE ADDITIONAL PHONIC GEAR AND ACCESSORIES

To purchase Phonic gear and optional accessories, contact any authorized Phonic distributor. For a list of Phonic distributors please visit our website at www.phonic.com and click on Get Gear. You may also contact Phonic directly and we will assist you in locating a distributor near you.

SERVICE AND REPAIR

For replacement parts, service and repairs please contact the Phonic distributor in your country. Phonic does not release service manuals to consumers, and advice users to not attempt any self repairs, as doing so voids all warranties. You can locate a dealer near you at <http://www.phonic.com/where/>.

WARRANTY INFORMATION

Phonic stands behind every product we make with a no-hassles warranty. Warranty coverage may be extended, depending on your region. Phonic Corporation warrants this product for a minimum of one year from the original date of purchase against defects in material and workmanship under use as instructed by the user's manual. Phonic, at its option, shall repair or replace the defective unit covered by this warranty. Please retain the dated sales receipt as evidence of the date of purchase. You will need it for any warranty service. No returns or repairs will be accepted without a proper RMA number (return merchandise authorization). In order to keep this warranty in effect, the product must have been handled and used as prescribed in the instructions accompanying this warranty. Any tempering of the product or attempts of self repair voids all warranty. This warranty does not cover any damage due to accident, misuse, abuse, or negligence. This warranty is valid only if the product was purchased new from an authorized Phonic dealer/distributor. For complete warranty policy information, please visit <http://www.phonic.com/warranty/>.

CUSTOMER SERVICE AND TECHNICAL SUPPORT

We encourage you to visit our online help at <http://www.phonic.com/support/>. There you can find answers to frequently asked questions, tech tips, driver downloads, returns instruction and other helpful information. We make every effort to answer your questions within one business day.

CÓMO COMPRAR EQUIPO ADICIONAL Y ACCESORIOS DE PHONIC

Para comprar equipos y accesorios opcionales de Phonic, póngase en contacto con cualquiera de los distribuidores autorizados de Phonic. Para una lista de los distribuidores de Phonic visite nuestra página web en www.phonic.com y entre a la sección Get Gear. También, puede ponerse en contacto directamente con Phonic y le ayudaremos a encontrar un distribuidor cerca de usted.

SERVICIO Y REPARACIÓN

Para refacciones de reemplazo y reparaciones, por favor póngase en contacto con nuestro distribuidor de Phonic en su país. Phonic no distribuye manuales de servicio directamente a los consumidores y, avisa a los usuarios que no intenten hacer cualquier reparación por sí mismo, haciendo ésto invalidará todas las garantías del equipo. Puede encontrar un distribuidor cerca de usted en <http://www.phonic.com/where/>.

INFORMACIÓN DE LA GARANTÍA

Phonic respalda cada producto que hacemos con una garantía sin enredo. La cobertura de garantía podría ser ampliada dependiendo de su región. Phonic Corporation garantiza este producto por un mínimo de un año desde la fecha original de su compra, contra defectos en materiales y mano de obra bajo el uso que se instruya en el manual del usuario. Phonic, a su propia opinión, reparará o cambiará la unidad defectuosa que se encuentra dentro de esta garantía. Por favor, guarde los recibos de venta con la fecha de compra como evidencia de la fecha de compra. Va a necesitar este comprobante para cualquier servicio de garantía. No se aceptarán reparaciones o devoluciones sin un número RMA apropiado (return merchandise authorization). En orden de tener esta garantía válida, el producto deberá de haber sido manejado y utilizado como se describe en las instrucciones que acompañan esta garantía. Cualquier atentado hacia el producto o cualquier intento de repararlo por usted mismo, cancelará completamente esta garantía. Esta garantía no cubre daños ocasionados por accidentes, mal uso, abuso o negligencia. Esta garantía es válida solamente si el producto fue comprado nuevo de un representante/distribuidor autorizado de Phonic. Para la información completa acerca de la política de garantía, por favor visite <http://www.phonic.com/warranty/>.

SERVICIO AL CLIENTE Y SOPORTE TÉCNICO

Le invitamos a que visite nuestro sistema de ayuda en línea en www.phonic.com/support/. Ahí podrá encontrar respuestas a las preguntas más frecuentes, consejos técnicos, descarga de drivers, instrucciones de devolución de equipos y más información de mucho interés. Nosotros haremos todo el esfuerzo para contestar sus preguntas lo antes posible.

购买Phonic产品及其周边器材

使用者如需购买Phonic产品及其周边器材, 请与Phonic授权的经销商取得联系。访问我们的网站 www.phonic.com, 点击 Get Gear 即可查询Phonic地区经销商的联系方式。您也可直接联系Phonic公司, 我们将协助您快速定位离您最近的经销商。

服务与维修

订购替换零件或维修事宜, 请与您所在地区的Phonic经销商联系。Phonic不对使用者发行维修手册, 且建议使用者切勿擅自维修机器, 否则将无法获得任何保固服务。您可登录 <http://www.phonic.com/where/> 定位离您最近的经销商。

产品保固资讯

Phonic承诺对每项产品提供最完善的保固服务。我们将根据客户群体所在的地区来拓展我们的服务所涵盖的范围。自原始购买日起, Phonic即对在严格遵照使用说明书的操作规范下, 因产品材质和做工所产生的问题提供至少1年的保固服务。Phonic可在此保固范围内任意地选择维修或更换缺陷产品。请务必妥善保管购买产品的凭证, 以此获得保固服务。未获得RMA号的将不受理退货, 以及保固服务。保固服务只限于正常使用情况下产生的问题。使用者需严格遵照使用说明书正确使用, 任何肆意损坏或擅自维修机器, 意外事故, 错误使用, 人为疏忽, 都将不在保固受理范围内。此外, 担保维修只限于在授权经销商处的有效购买。欲知全部的保固政策资讯, 请参考 <http://www.phonic.com/warranty/>。

客户服务和技术支持

欢迎您访问我们的网站 <http://www.phonic.com/support/>。从该网站上, 您可获得各种常见问题的答案, 技术指导, 并可下载产品驱动, 获得有关退货指导以及其它帮助资讯。我们竭尽全力在一个工作日内回复您的询问。

PHONIC

support@phonic.com <http://www.phonic.com>