



**PHONIC | MSK SERIES**

**Professional Passive Loudspeakers**

### **MSK8**

300W 8" Passive 2-way Stage Speaker / Floor Monitor

### **MSK10**

500W 10" Passive 2-way Stage Speaker / Floor Monitor

### **MSK12**

600W 12" Passive 2-way Stage Speaker / Floor Monitor

### **MSK15**

800W 15" Passive 2-way Stage Speaker / Floor Monitor

### **MSK18B**

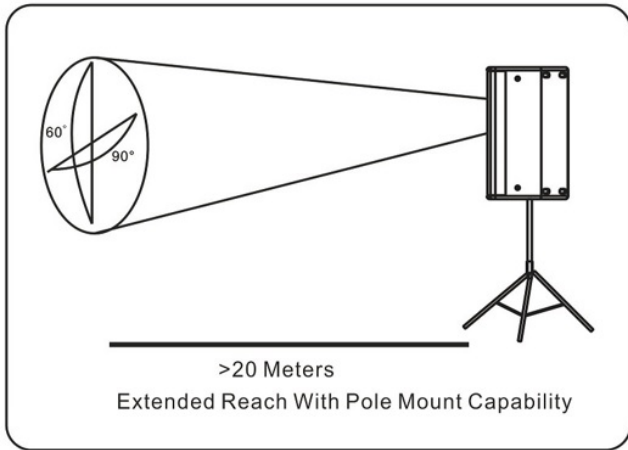
1400W 18" Passive Subwoofer



The MSK series is a completed full range speakers and Subwoofer, the multi-function enclosed designed for PA systems or stage, perfectly professional solution for a wide range of venues, including auditoriums, lecture halls, conference rooms, restaurants and LiveHouse bars.

MSK series include high quality 8" 、 10" 、 12" and 15" two ways speakers, and an 18" subwoofer. Built-in high-quality crossover provide linear and accurate phase response, with excellent sound distribution and high definition fidelity. Full-band speakers with HF OCPP protection (Over Current Passive Protection). The subwoofer cabinet design with SWR (Stationary Wave Reduction) to reduce internal standing waves. The customized LF driver unit provides excellent dynamic range, flat frequency response and very low distortion. It combines with a 1.74" (44mm

voice coil) high-quality compression driver, and a rotating 90° x 60° horn for vertical and horizontal operation, It also



provides superior sound quality and precise coverage at the highest sound pressure levels.

**Applications:**

- School, Lecture halls
- Government auditoriums, Conference rooms
- Mall, gym, small Live House
- Restaurant Hotels, banquet halls

**Speaker Angle Views:**

**MSK8**

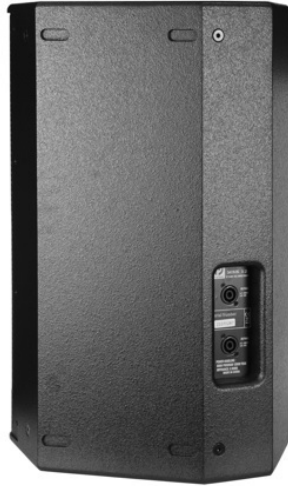
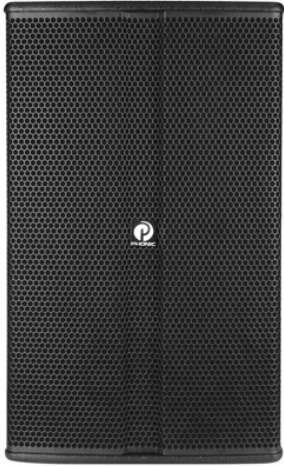


**MSK10**

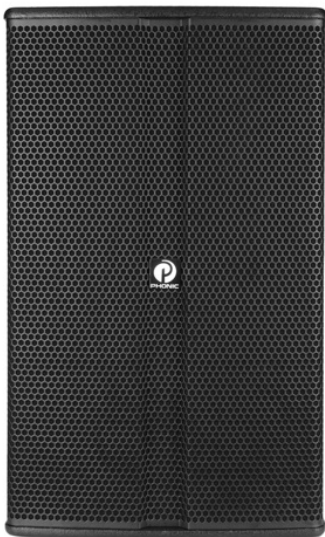




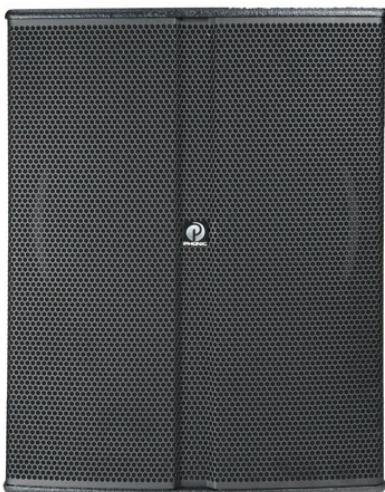
MSK12



MSK15



MSK18B



## Back Panels:



## Specifications:

Model	MSK8	MSK10	MSK12	MSK15	MSK18B
Product type	Two Way Speaker	Two Way Speaker	Two Way Speaker	Two Way Speaker	Subwoofer
Sensitivity	98 dB	99 dB	98 dB	99 dB	100 dB
Frequency response	78 Hz – 18 kHz	62 Hz – 18 kHz	60 Hz – 18 kHz	51 Hz – 18 kHz	40 Hz–250 Hz
Coverage angle	90° x 60°	90° x 60°	90° x 60°	90° x 60°	360°
Impedance	8 ohms	8 ohms	8 ohms	8 ohms	8 ohms
Terminal	Speakon NL4	Speakon NL4	Speakon NL4	Speakon NL4	Speakon NL4
Drivers	1 x 1.34" HF, 1 x 8" LF	1 x 1.34" HF, 1 x 10" LF	1 x 1.74" HF, 1 x 12" LF	1 x 1.74" HF, 1 x 15" LF	1 x 18" LF
Max. Sound Level	121dB	123dB	128dB	130dB	131dB
Power Handling	300W(Program) 600W(Peak)	500W(Program) 1000W(Peak)	600W(Program) 1200W(Peak)	800W(Program) 1600W(Peak)	1400W(Program) 2800W(Peak)
Rigging Points	12*M8	12*M8	12*M8	12*M8	NA
Color	Black	Black	Black	Black	Black
Dimension ( H x W x D )	376 x 234 x 234 mm	504 x 324 x 311 mm	612 x 378 x 304 mm	684 x 432 x 354 mm	684 x 540 x 595 mm
Weight	8 Kg	13.5 Kg	19 Kg	20 Kg	40 Kg