

Features

- ▶ Ultra-durable & lightweight (16kg) all-in-one battery powered sound solution
- ▶ 320 Watt Class D amplifier technology
- ▶ Maximum SPL of 115dB reaches crowds of 1,500+ people
- ▶ Impact resistant polymer enclosure with internal bracings
- ▶ 1" pure titanium tweeter and 10" woofer
- ▶ Flat frequency response between 50Hz -18kHz
- ▶ Metal retractable handle and wheels for excellent portability
- ▶ 3-Channel onboard Mixer: Dual combo jacks (XLR & ¼"), RCA, and mini stereo
- ▶ Advanced wireless microphone system with Auto-Scan technology
- ▶ Add up to two passive companion speakers with the powered Speakon jack
- ▶ 7-10 hour operation time on fully charged batteries
- ▶ Battery protection circuitry protects batteries during storage
- ▶ Tone control and echo reverb effects reliability.
- ▶ 4-Segment battery status indicator
- ▶ "Voice-priority" music ducking feature
- ▶ Integrated microphone storage slots
- ▶ All-in-one CD player and MP3 player/recorder (option)

Overview

The Safari 3000 is Phonic's latest all-in-one, battery-powered sound solution. Powered by advanced class D amplifiers that deliver a commanding 320 Watts, the Safari 3000 can reach crowds of 1,500+ people with a max SPL of 115dB. At a lightweight 16kg, the Safari 3000 is designed for excellent portability. With its retractable metal handle, wheels, and integrated microphone storage, transporting the Safari 3000 is a breeze. The Safari's rugged polymer body, rounded corners, and internal bracing system maximize structural strength, allowing the Safari to withstand heavy use.

The Safari's electronic circuitry, including the amplifier, battery, and power supply are state-of-the-art. The efficient battery system can operate 7-10 hrs on a full charge and the quick recharge circuitry recharges in less than 8hrs. The onboard 3-channel mixer has versatile input options, including Neutrik XLR, Neutrik TRS, mini stereo, and RCA. Sound expansion is especially easy with the Safari 3000. Up to two passive companion speakers can be added through its powered Speakon jack. Finally, options such as Phonic's auto-scan wireless microphones, CD/USB player&recorder, and USB recorder give users the flexibility to customize the Safari 3000 into a perfectly tailored solution. So whether you are a street vendor, a musician, a teacher, or a business professional, the rugged, versatile, and powerful Safari 3000 is your ultimate portable system.

Advanced Electronics. Advanced Reliability

Phonic engineers designed the Safari 3000 for maximum reliability and durability. As of the launch date, the Safari's power supply, amplifier, and battery circuitries have endured over 1000 hours of real world and lab tests, guaranteeing a remarkable level of reliability. From heated ovens, freezing subzero rooms, high humidity chambers, rigorous drop tests, to electrical voltage spikes, the Safari has seen it all.



Auto-Scan Wireless Microphone Technology

The Safari's new auto scan wireless system is a model of simplicity. Upon a click of a button, the Safari automatically detects optimal transmission frequency and simultaneously synchronizes the transmitter and receiver. This automatic process takes less than 6 seconds to complete. Meanwhile, proprietary hardware and software noise rejection systems work in tandem to ensure that the signal, once established, is clean. Wireless reach of the Safari is also increased to more than 40 meters line-of-sight (131 feet). For optimal sensitivity and sound quality, all Safari wireless microphones are fitted with neodymium cartridges. Customize the Safari with the WM-1S handheld, the WH-1S headset, or the WL-1S lavalier microphones and expect fantastic sound, fantastic simplicity.

SAFARI 3000

320 Watt All-In-One Portable PA System

Functions and Accessories



Options and Accessories



Wireless handheld system (WM-1S)



Wireless lavalier system (WL-1S)



Wireless headset system (WH-1S)



CD/USB MP3 player & recorder (SAFARI CD/USB)



USB player & recorder (MP3/WMA) (USBR-1)



Passive companion speaker (SAFARI 3000P)

Package Options

Safari 3000 Base Includes:

- ▶ Safari 3000

Safari 3000 SYS1 Includes:

- ▶ Safari 3000
- ▶ WM-1S handheld wireless system
- ▶ CD/USB MP3 Player

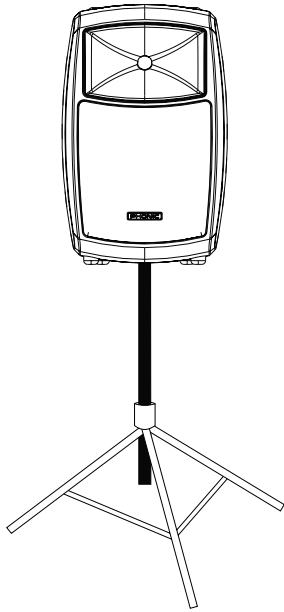
Safari 3000 SYS2 Includes:

- ▶ Safari 3000
- ▶ WM-1S handheld wireless system
- ▶ USBR-1 USB MP3 Player and Recorder

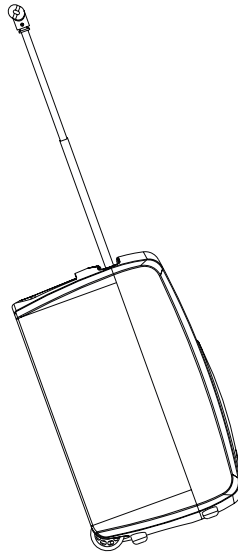
SAFARI 3000

320 Watt All-In-One Portable PA System

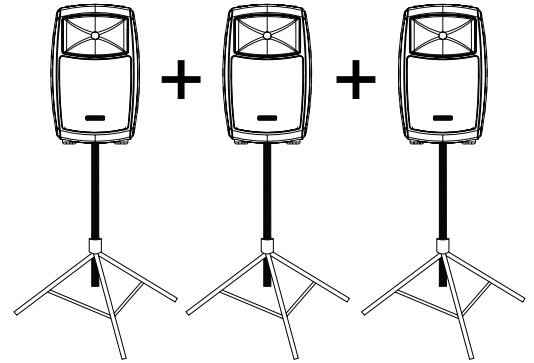
Applications and Dimensions



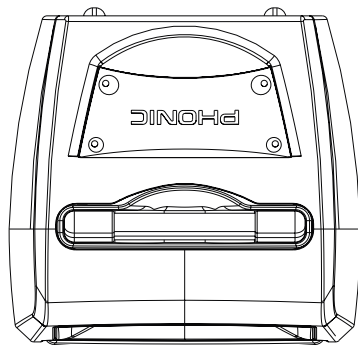
Standard 35mm pole mount



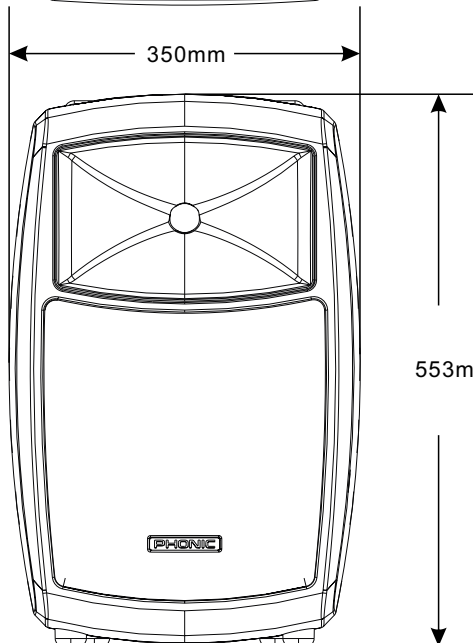
Convenient retractable handle and wheels



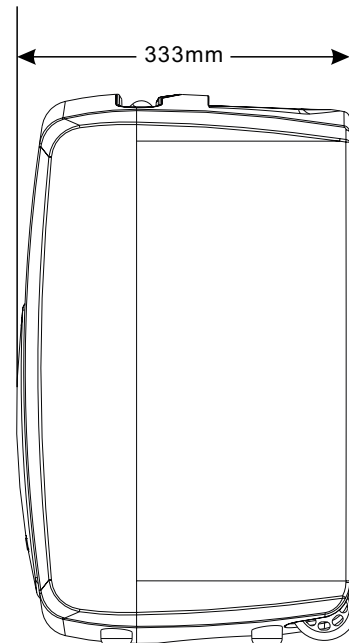
Expandability: Add up to 2 passive companion speakers (Safari 3000P)



350mm



553mm



333mm

SAFARI 3000

320 Watt All-In-One Portable PA System

Specifications

SAFARI 3000	
Amplifier Technology	Class D X 2
Amplifier Wattage	320Watt Peak/160Watt RMS<0.1% THD
Power Supply Technology	Universal switching power 90V~265V
Woofers	10" woofer paper/fiber composite
Tweeter	1" pure titanium compression horn
Frequency Response(-6dB)	50-18 kHz
EQ	Tone
EFX	Echo reverb
Input	3 CH Mixer: 2 x Combo(XLR/TRS), RCA, mini-stereo
Output	RCA Speakon powered output for up to two 8ohm expansion speakers
Battery Indicator	4-Segment LED
Crossover	Precision tuned crossover
Ducking/Voice Priority	Yes, with on/off Switch
Wheeled	Metal hub wheels
Body Material	Impact resistant polymer. Internal bracing system.
Wireless Microphone Technology	Auto scanning frequency finder technology
Battery	Lead acid 12V 5Ah
Battery Operation Time	7-10 hour run time. Fast charge. Battery protection switch
Mic Storage Compartment	Internally integrated
Dimensions(HxWxD)	553x350x333 mm/21.8x13.8x13.1 in
Weight	16kg (35lbs)
Grille	1.3mm power coated steel

SAFARI 3000

320 Watt All-In-One Portable PA System

Wireless Specifications

Wireless Transmitter Specifications

	WM-1 (Handheld Transmitter)	WB-1 (Beltpack Transmitter)
Frequency Range (Selectable)	500-875MHz (Selectable)	500-875MHz (Selectable)
Housing Material	ABS	ABS
Bandwidth	25MHz	25MHz
Spurious Emissions	<-55dBc	<-55dBc
Max. Deviation Range	±68KHz	±68KHz
Maximum Input Level	148dB SPL	148dB SPL
Battery	AA×2 Alkaline, >12hr battery life	AA×2 Alkaline, >12hr battery life
Notes	Please work with your sales representative to select the optimal frequency for your region	

Wireless Receiver Specifications

	WR-1 (Wireless Receiver)
Frequency Range (Selectable)	500-875MHz (Selectable)
Oscillation Mode	PLL synthesized
Bandwidth	25MHz
Preset Channels	16 Non-interference channels
Receiving Mode	CPU-controlled diversity technology
Squelch Control	Optimized automatic squelch control
Display	Channel display LED, 4 LED RF display, 4 LED AF display
Sensitivity	6dBμV, at S/N>80dB
Max. Deviation Range	±68KHz
Spurious Emissions	<80dB
Frequency Response	50Hz~16KHz
S/N Ratio	>100dBA
T.H.D.	<0.5% @ 1KHz (Dev.=40KHz)
AF Output	300mV rms
Power Supply	DC 12~15V
Current Consumption	<190 mA
Working Temperature	-10~60°C
Notes	Please work with your sales representative to select the optimal frequency for your region